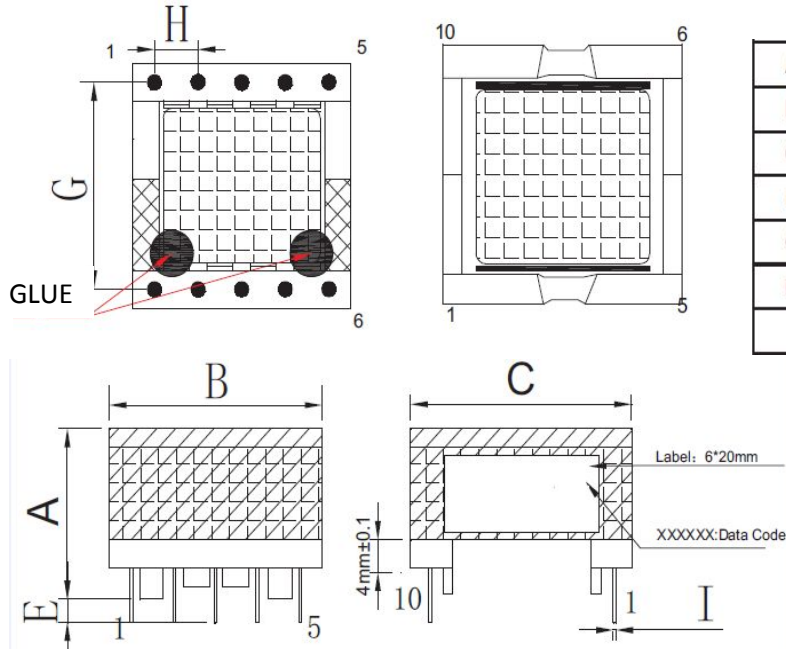


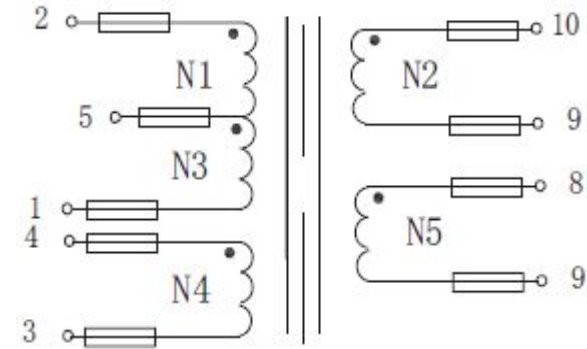
CUSTOMER TERMINAL	ROHS	Lead(Pb)-free
	YES	YES

1. Mechanical Dimensions



A	16.0	MAX
B	26.8	MAX
C	26.9	MAX
E	3.5	±0.5
G	22.5	±0.4
H	5.0	±0.3
I	0.8	±0.1

2. Schematic Diagram



3. Material List

Core:FW44 EFD25/25/9
 Bobbin:FWB2506(5+5PIN)
 Wire:2UEW TIW
 Operating Temperature: -30 to115 °C

4. Electrical Specification

Inductance : $L(1-2):750\mu H \pm 5\%$ 40KHZ , 1.0V
 Leakage Inductance : 9.3uH MAX 40KHZ , 1.0V
 DCR : (1-2)=1.67Ω MAX (10-9)=590mΩ MAX
 Hi-Pot:P-S: AC 60Hz 4000V 1mA 3S
 S-CORE: AC 60Hz 4000V 1mA 3S

REV.	DATE	 Convention Placement	DRW.		Drawing Title:	Part No:
0	00/00		CHK.			
			APP.		Customer P/N	Specification Sheet 1of 1

ROHS

www.ferriwo.com